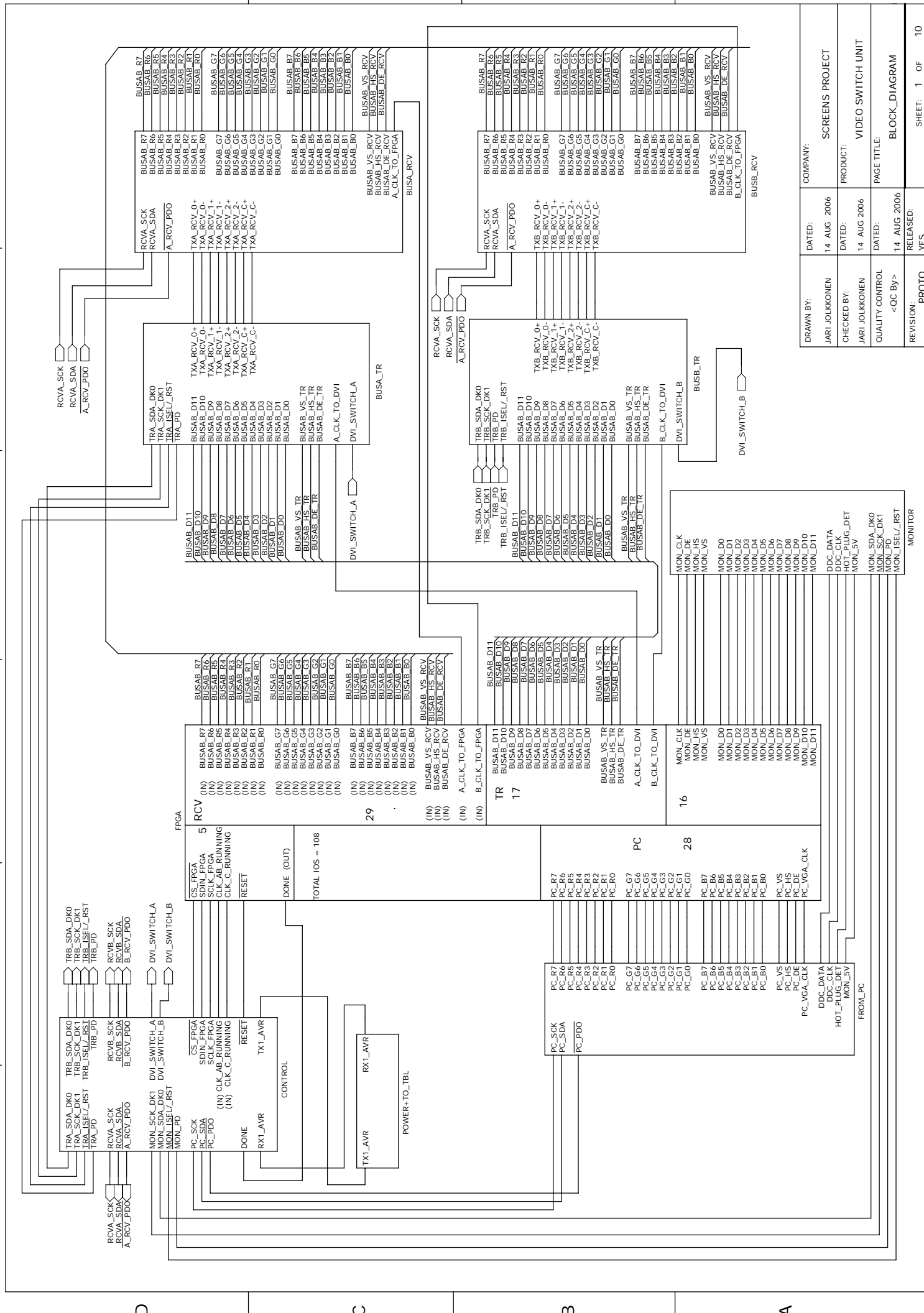
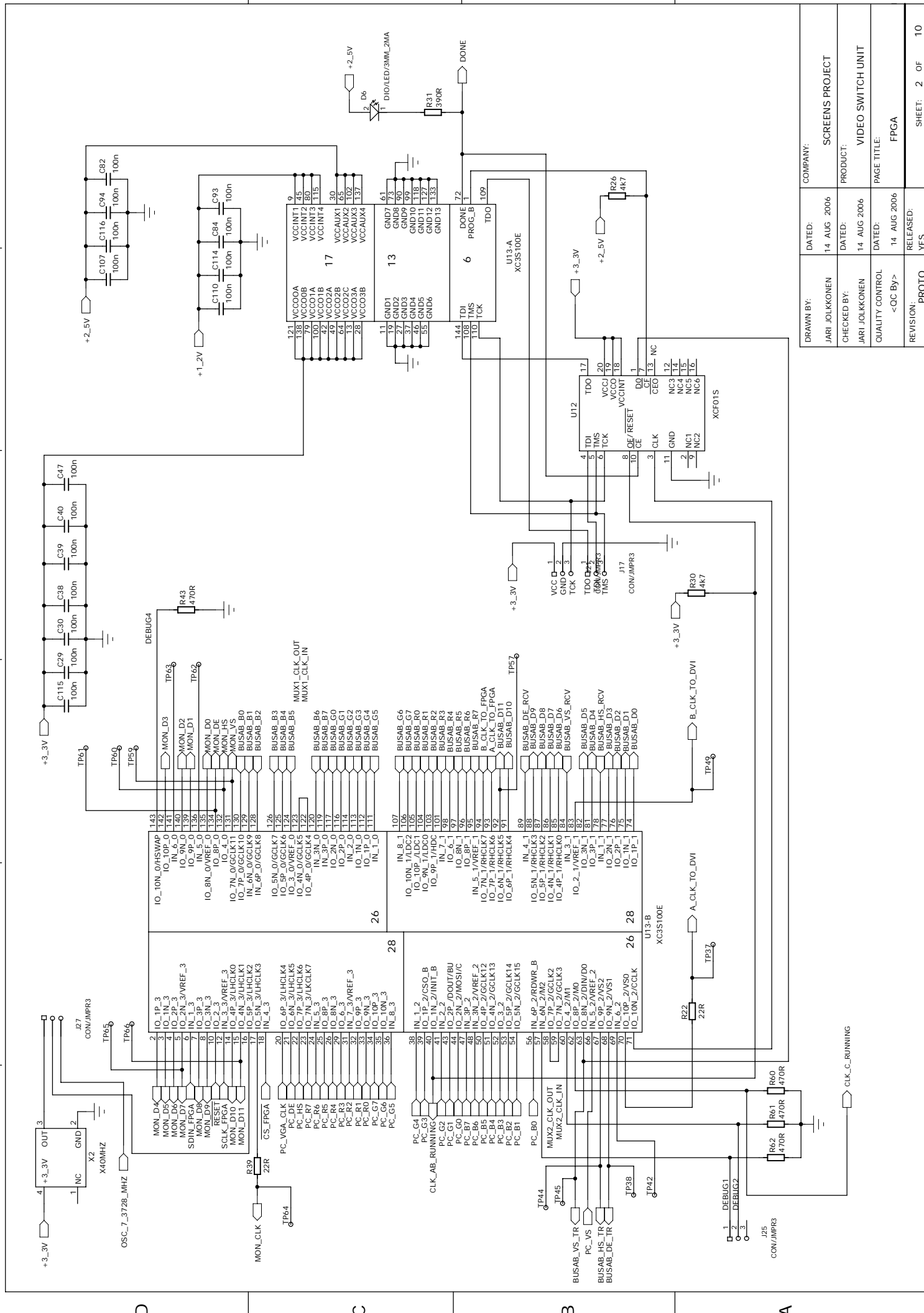


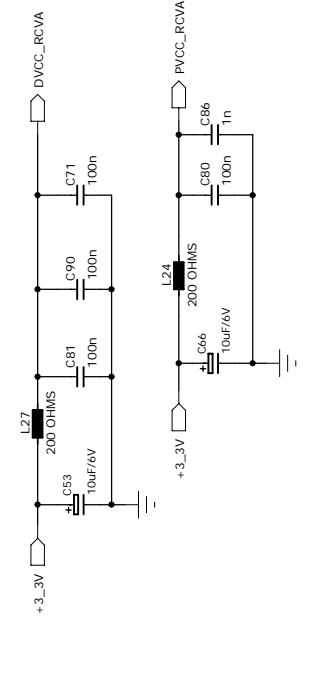
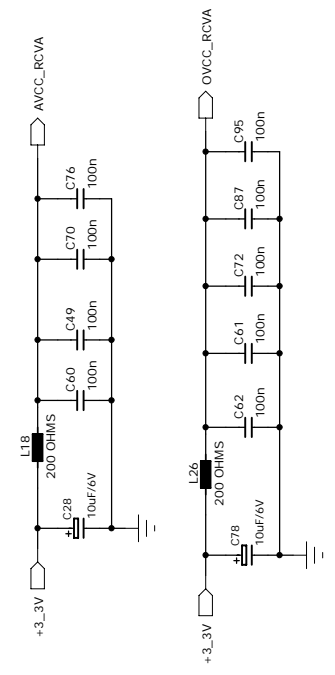
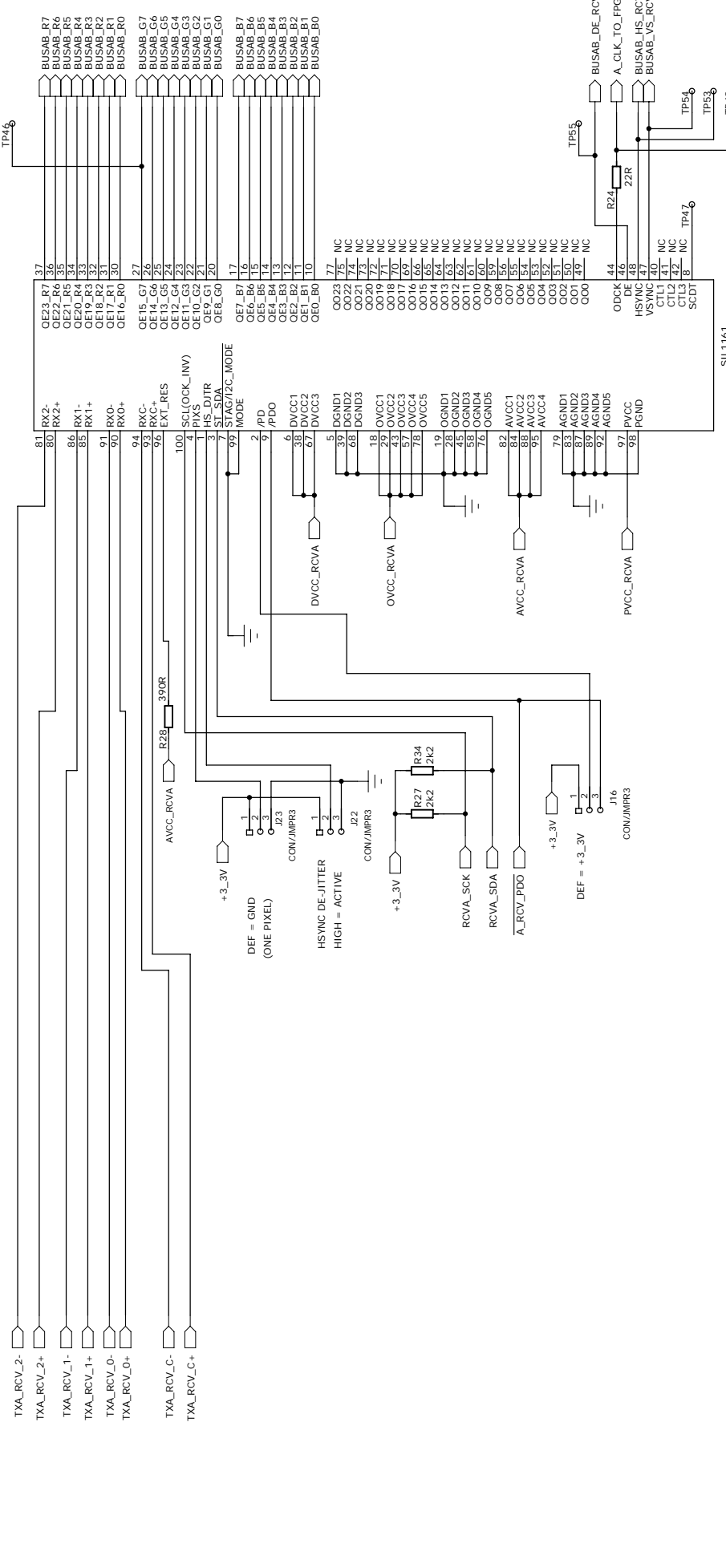
1 2 3 4 5 6



DRAWN BY:	JARI JOLKKONEN	COMPANY:	SCREENS PROJECT
DATED:	14 AUG 2006	PRODUCT:	VIDEO SWITCH UNIT
CHECKED BY:	JARI JOLKKONEN	PAGE TITLE:	BLOCK DIAGRAM
QUALITY CONTROL	<OC By>	RELEASED:	14 AUG 2006
REVISION:	PROTO	YES	SHEET: 1 OF 10

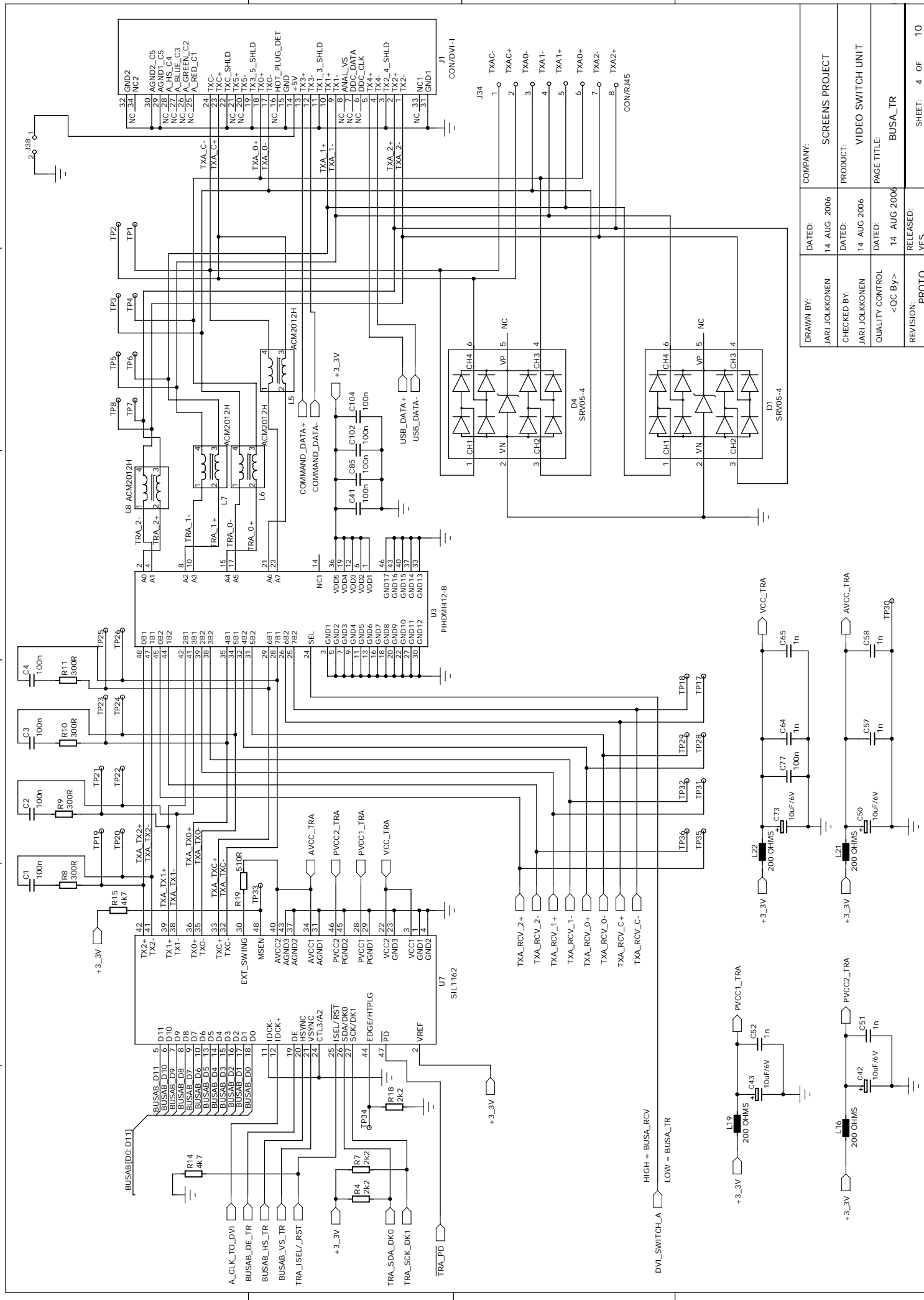
6 5 4 3 2 1





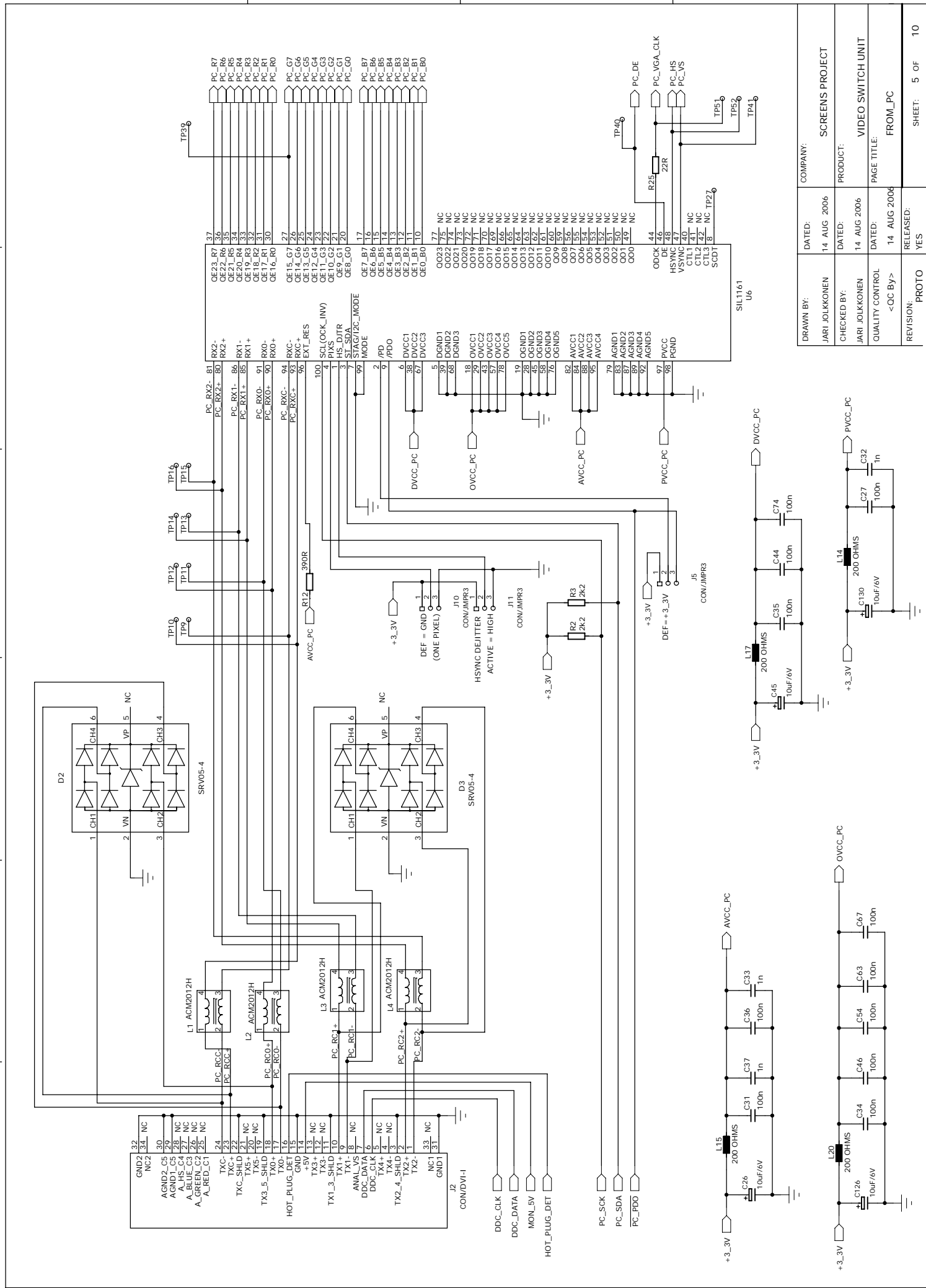
DRAWN BY:	JARI JOLKKONEN	COMPANY:	SCREENS PROJECT
CHECKED BY:	JARI JOLKKONEN	DATED:	14 AUG 2006
QUALITY CONTROL	<OC By>	DATED:	14 AUG 2006
REVISION:	PROTO	DATED:	14 AUG 2006
RELEASED:	YES	PAGE TITLE:	BUSA_RCV
SHEET:	3	PRODUCT:	VIDEO SWITCH UNIT
OF	10	PAGE TITLE:	BUSA_RCV

1
2
3
4
5
6

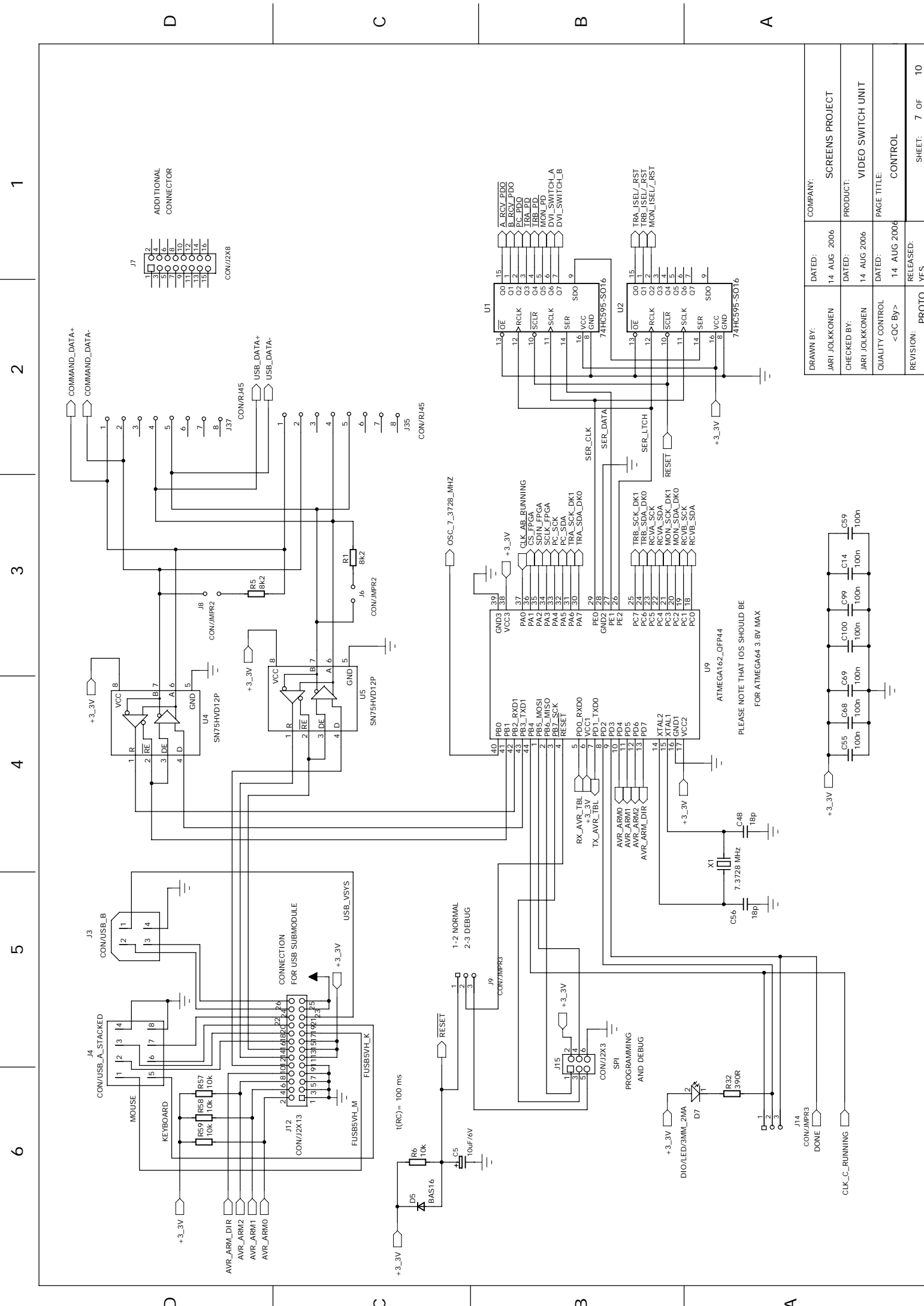


DRAWN BY:	JARI JOLKKONEN	COMPANY:	SCREENS PROJECT
CHECKED BY:	JARI JOLKKONEN	DATED:	14 AUG 2006
QUALITY CONTROL	<OC By>	DATED:	14 AUG 2006
REVISION:	PROTO	DATED:	14 AUG 2006
RELEASED:	YES	PAGE TITLE:	BUSA_TR
SHEET:	4 OF 10	PRODUCT:	VIDEO SWITCH UNIT

1 2 3 4 5 6



DRAWN BY:	JARI JOLKKONEN	COMPANY:	SCREENS PROJECT
DATED:	14 AUG 2006	PRODUCT:	VIDEO SWITCH UNIT
CHECKED BY:	JARI JOLKKONEN	PAGE TITLE:	FROM_PC
QUALITY CONTROL	<OC By>	RELEASED:	YES
REVISION:	PROTO	SHEET:	5 OF 10

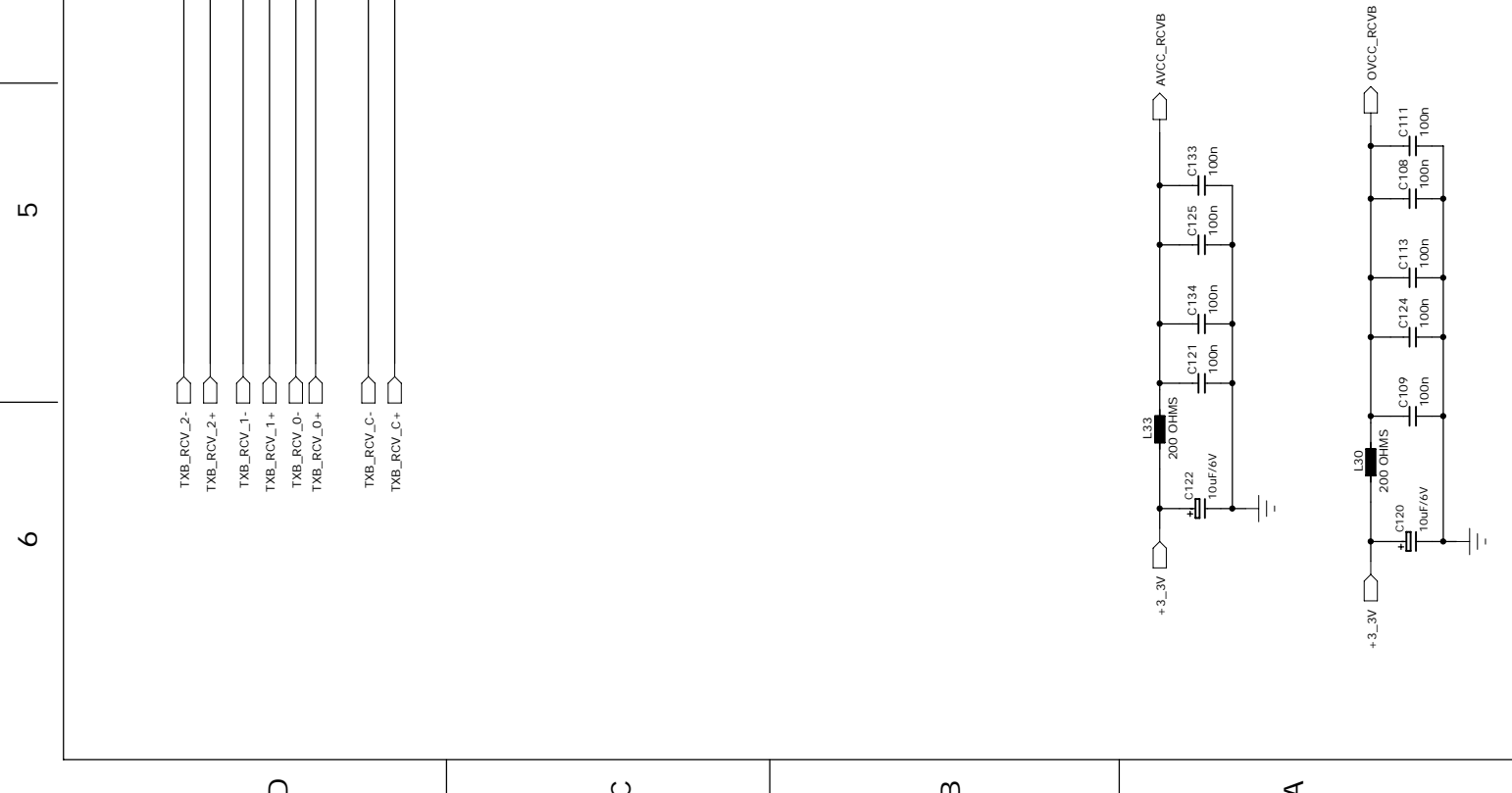
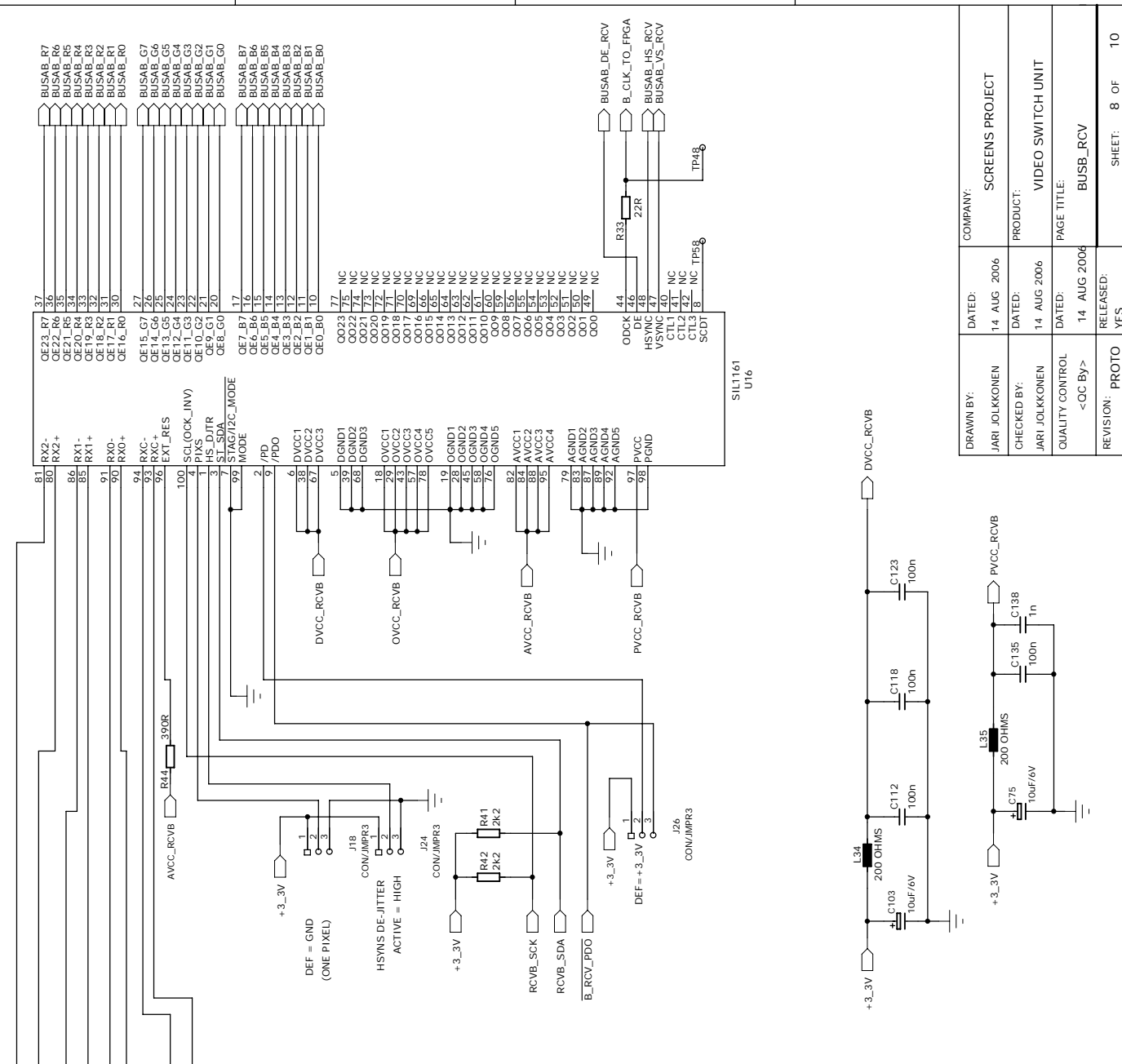


1 2 3 4 5 6

DRAWN BY:	JARI JOLKKONEN	COMPANY:	SCREENS PROJECT
DATED:	14 AUG 2006	PRODUCT:	VIDEO SWITCH UNIT
CHECKED BY:	JARI JOLKKONEN	PAGE TITLE:	CONTROL
QUALITY CONTROL	<OC By>	RELEASED:	YES
REVISION:	PROTO	RELEASED:	YES
		SHEET:	7 OF 10

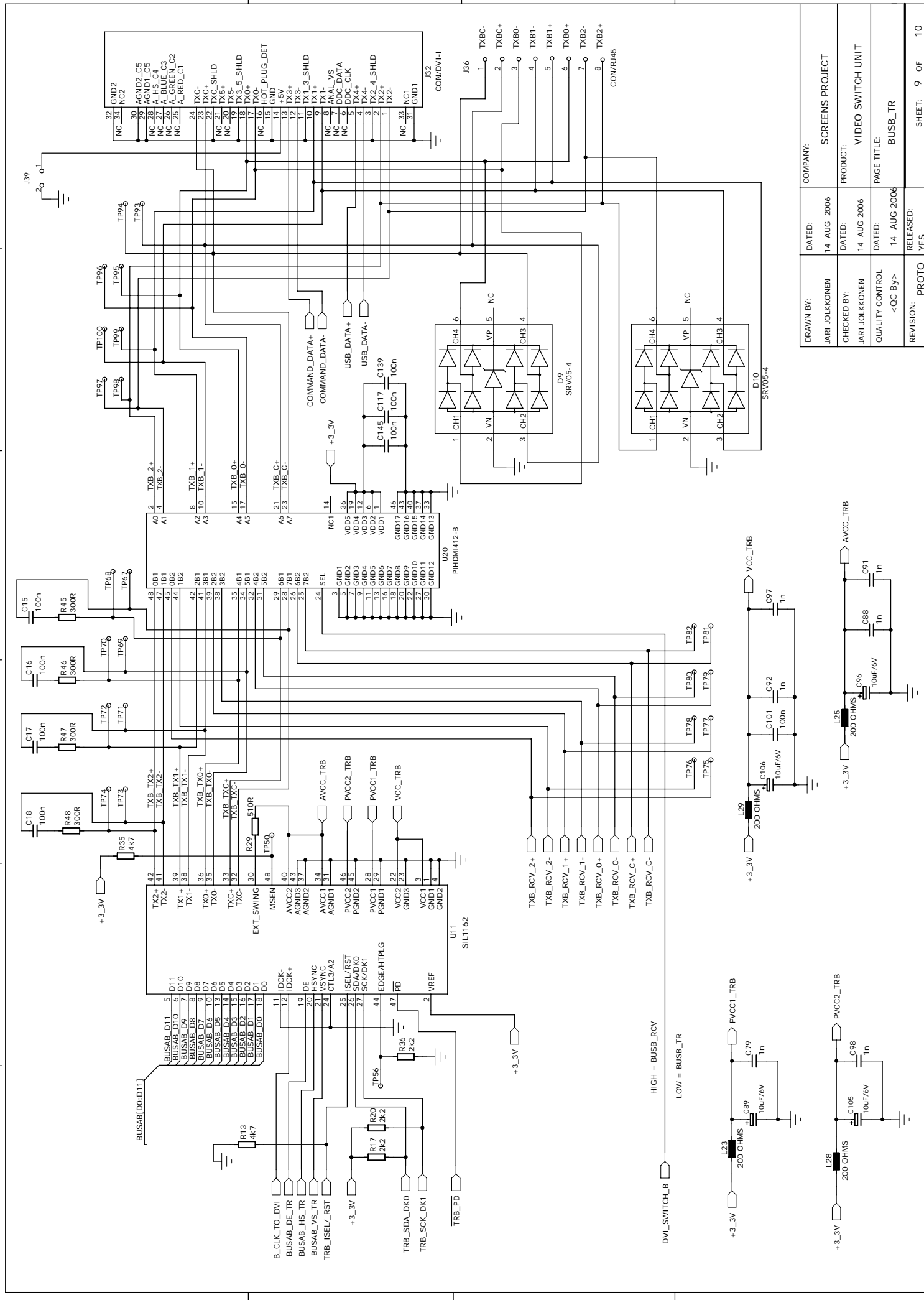
D5	BAST16	10k
R59	R58	10k
R57	R56	10k
R55	R54	10k
R53	R52	10k
R51	R50	10k
R49	R48	10k
R47	R46	10k
R45	R44	10k
R43	R42	10k
R41	R40	10k
R39	R38	10k
R37	R36	10k
R35	R34	10k
R33	R32	10k
R31	R30	10k
R29	R28	10k
R27	R26	10k
R25	R24	10k
R23	R22	10k
R21	R20	10k
R19	R18	10k
R17	R16	10k
R15	R14	10k
R13	R12	10k
R11	R10	10k
R9	R8	10k
R7	R6	10k
R5	R4	10k
R3	R2	10k
R1	R0	10k
C56	18pF	7.3728 MHz
C55	100nF	+3.3V
C68	100nF	+3.3V
C69	100nF	+3.3V
C100	100nF	+3.3V
C99	100nF	+3.3V
C14	100nF	+3.3V
C59	100nF	+3.3V
U9	ATMEGA162-DFP44	PLEASE NOTE THAT IOS SHOULD BE FOR ATMEGA64 3.8V MAX
U1	74HC595-SOT16	
U2	74HC595-SOT16	
U4	SN75HVD12P	
U5	SN75HVD12P	
J15	CONV/ZX3	
J14	CONV/MPR3	
J13	CONV/USB_B	
J12	CONV/ZX13	
J11	CONV/ZX13	
J10	CONV/ZX13	
J9	CONV/ZX13	
J8	CONV/ZX13	
J7	CONV/ZX8	
J6	CONV/MPR2	
J5	CONV/RJ45	
J4	CONV/USB_A_STACKED	
J3	CONV/USB_B	
J2	CONV/MPR3	
J1	CONV/RJ45	

6 5 4 3 2 1



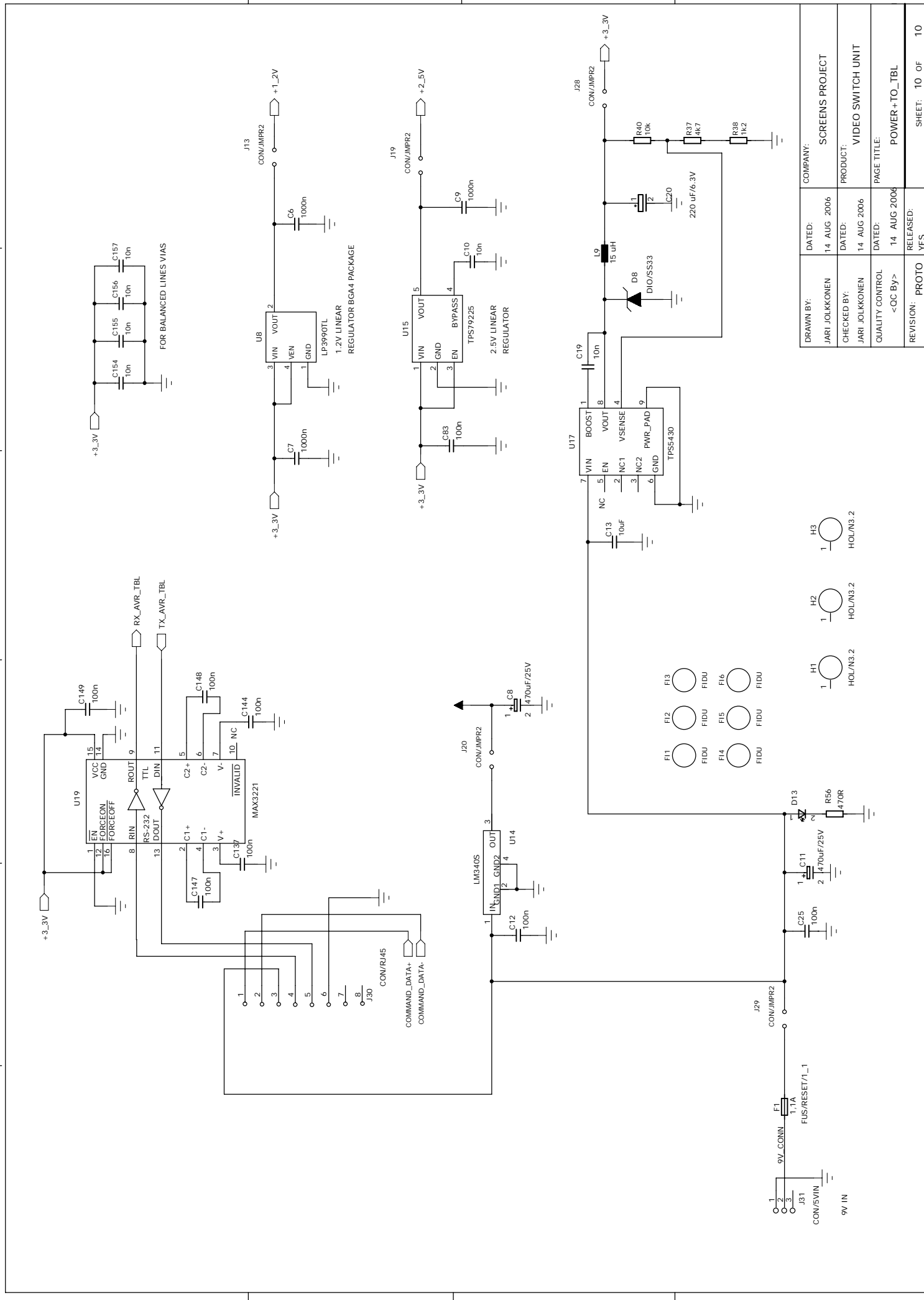
DRAWN BY:	JARI JOLKKONEN	COMPANY:	SCREENS PROJECT
DATED:	14 AUG 2006	PRODUCT:	VIDEO SWITCH UNIT
CHECKED BY:	JARI JOLKKONEN	PAGE TITLE:	BUSB_RCV
QUALITY CONTROL	<OC BY>	RELEASED:	YES
REVISION:	PROTO	SHEET:	8 OF 10

1
2
3
4
5
6



DRAWN BY:	JARI JOLKKONEN	COMPANY:	SCREENS PROJECT
DATED:	14 AUG 2006	PRODUCT:	VIDEO SWITCH UNIT
CHECKED BY:	JARI JOLKKONEN	QUALITY CONTROL	<OC By>
DATED:	14 AUG 2006	RELEASED:	YES
PAGE TITLE:	BUSB_TR	REVISION:	PROTO
DATED:	14 AUG 2006	SHEET:	9 OF 10

6 5 4 3 2 1



DRAWN BY:	JARI JOLKKONEN	COMPANY:	SCREENS PROJECT
DATED:	14 AUG 2006	DATED:	14 AUG 2006
CHECKED BY:	JARI JOLKKONEN	PRODUCT:	VIDEO SWITCH UNIT
QUALITY CONTROL	<OC By>	DATED:	14 AUG 2006
REVISION:	PROTO	RELEASED:	YES
		PAGE TITLE:	POWER+TO_TBL
		SHEET:	10 OF 10

