

Functional Specification D1a

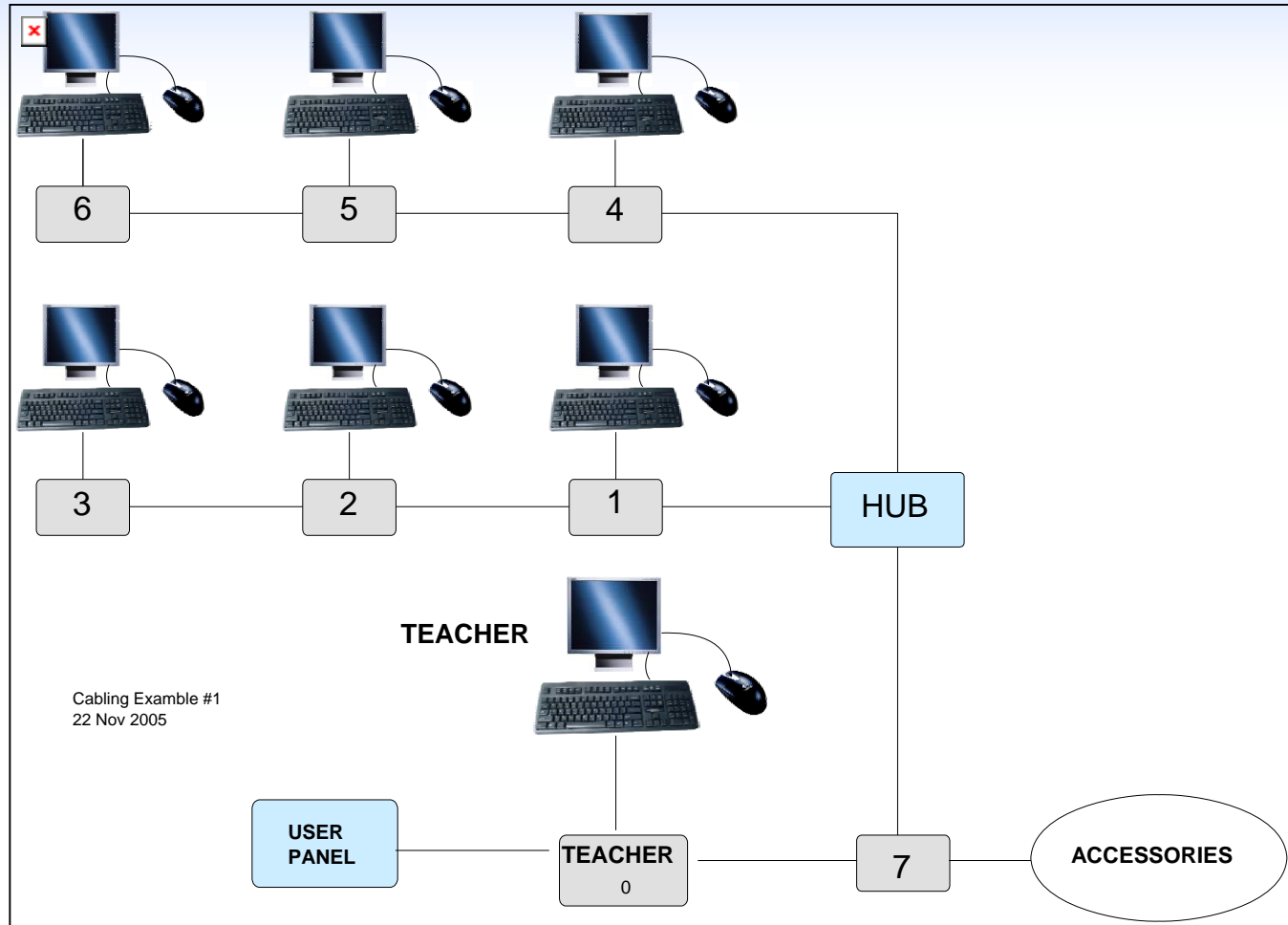
Limits of the System

Feature	Goal
Max. Resolution	165 Mpixels/s (single link limit) enables 1600 x 1200, 60 Hz (162 Ms/s) 1920 x 1080, interlace, 30 Hz
Max. video transfer distance	24 meters
Max number of PCs connected	127
The number of daisy chains	Min. 20
Number of video channels	one channel; commands for two masters
Audio	two analogue channels
Max unit cost for student and teacher unit as well as for hub	target 95 € incl 5m cable
Max cost for the user interface	Target 140 €

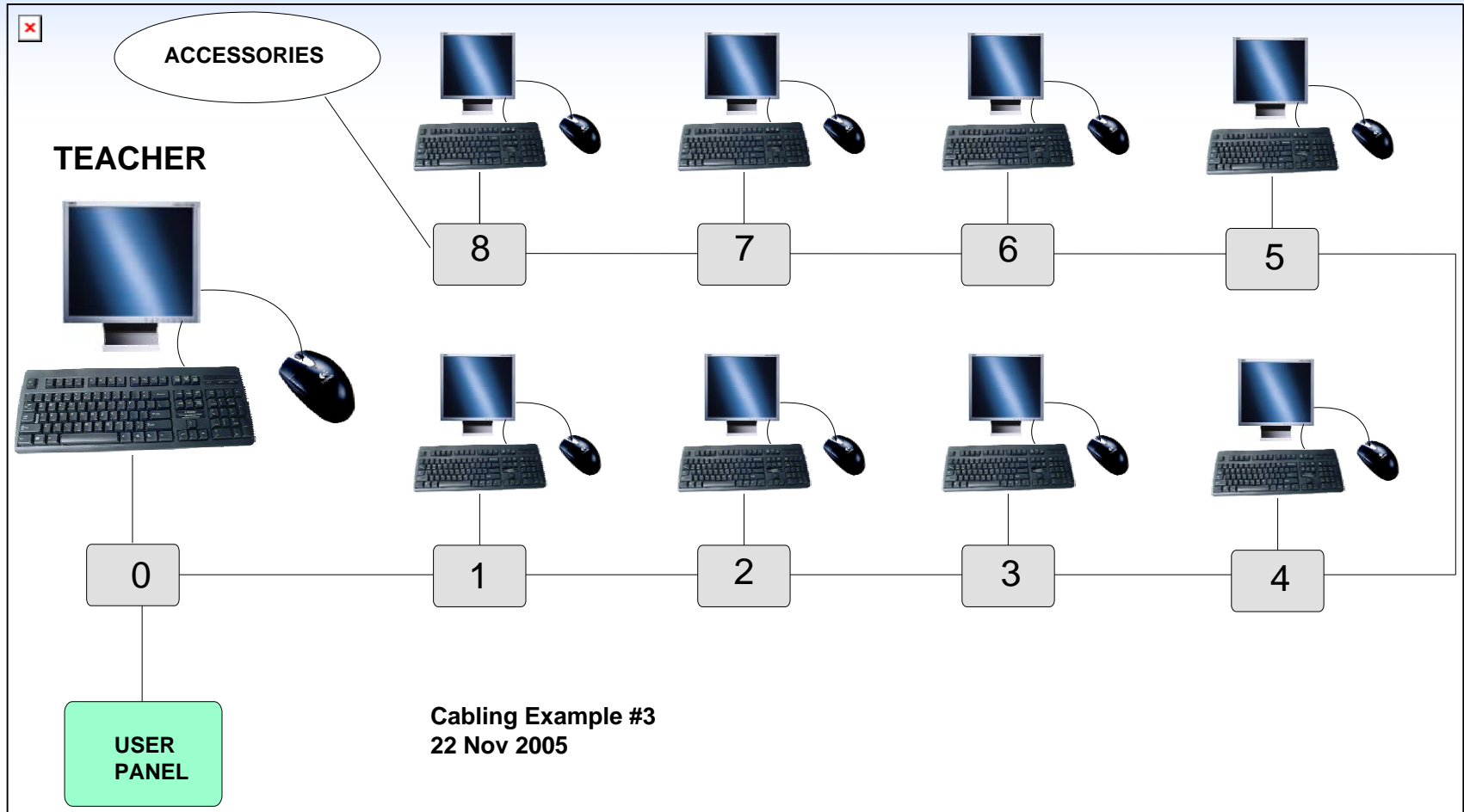
Functions implemented

- Video related functions
- Group setting functions
- Keyboard and mouse control functions
- Audio related functions
- Call and Voting? functions
- Test and Reset functions
- Two master functions
- Configuration functions

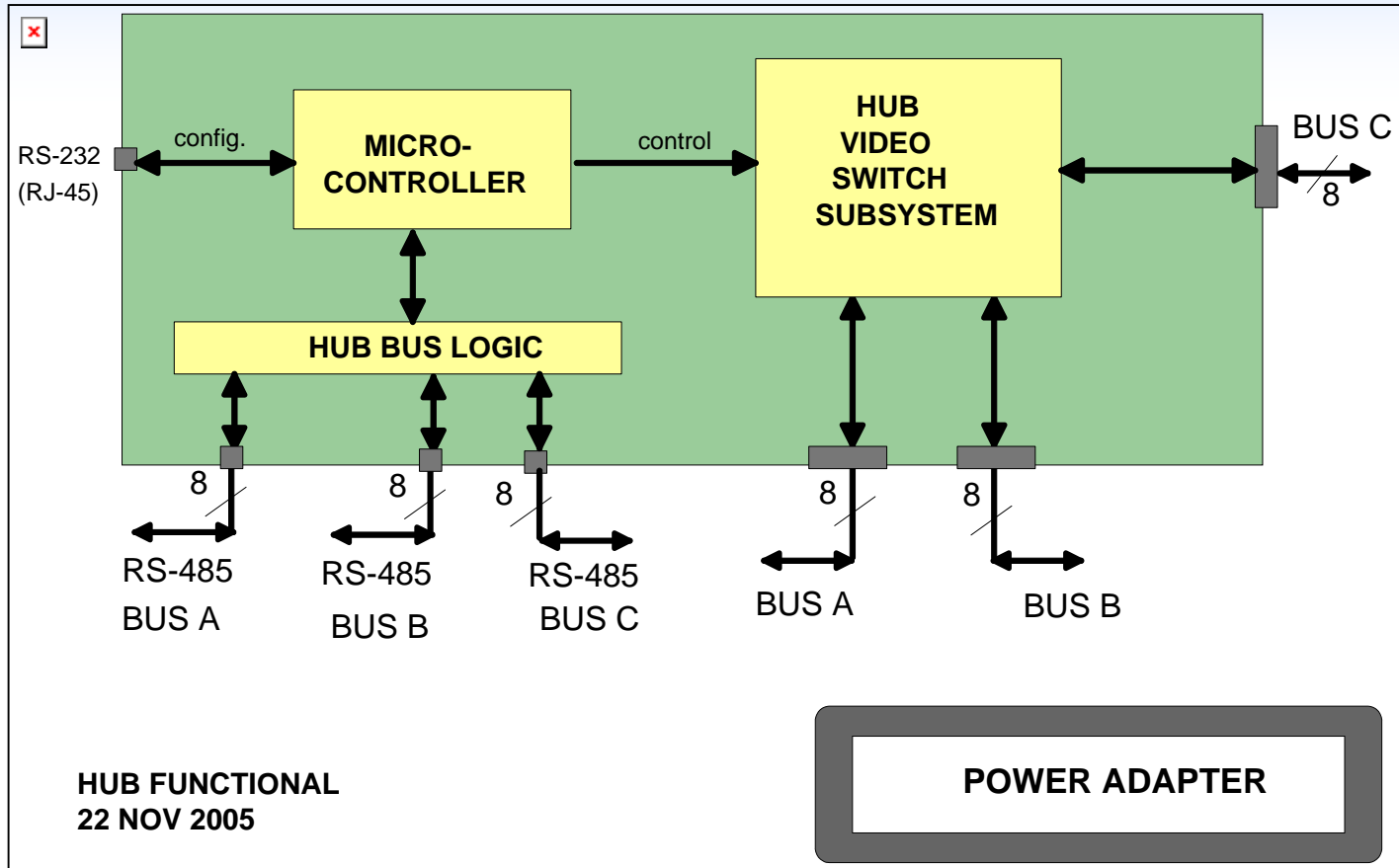
Cabling example #1



Cabling example #3



HUB



Digital Video Switch Unit

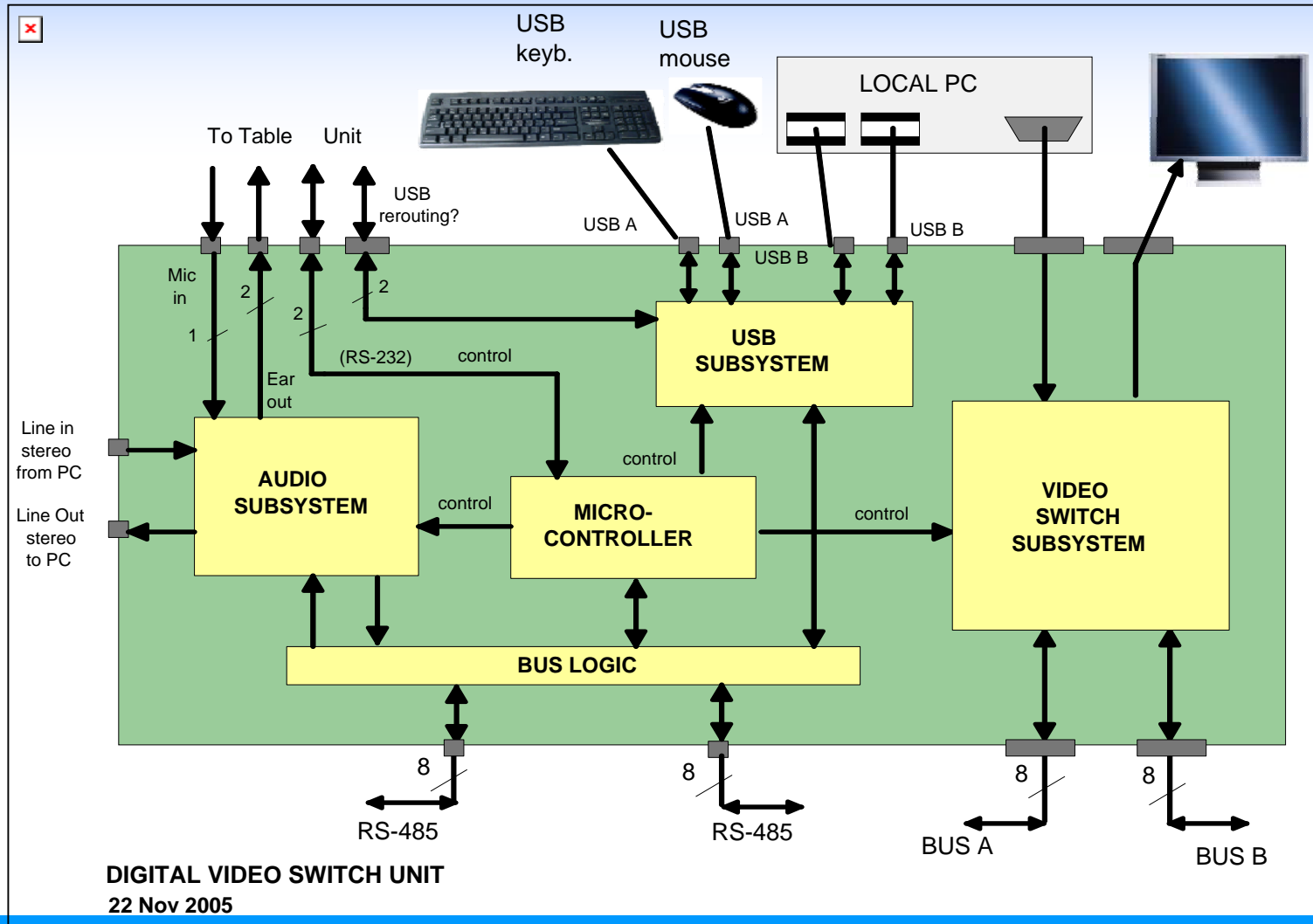


Table Unit

- Custom needs
- Example

